

# IR.T SERIES CURRENT CONTROL RELAY

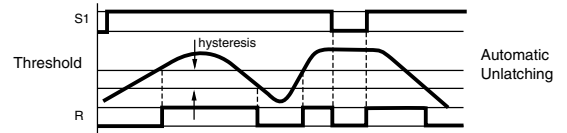
UL listed CSA recognized



- Automatic or Manual Control
- Start-up Inhibit
- Adjustable Hysteresis
- Multiple Voltages
- LED Relay Status Indicator

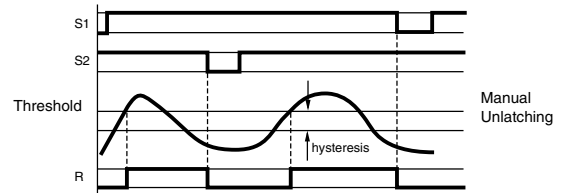
1. AC Current Control Without Latching:

The output relay is energized when the current (peak current on AC) overshoots the level selected on the potentiometer. It de-energizes when the current falls below the normal current by 5 to 50% or when input power breaks. The hysteresis is controlled by a top mounted potentiometer and its selection does not change the chosen current level.



2. AC Current Control With Latching:

The output relay is energized when the current reaches the selected value and stays latched. The contact between terminal B1 and B2 (or 11 and 9) should be opened or input power to the device interrupted to reset. In this case, it is preferable to reduce the hysteresis 5%.



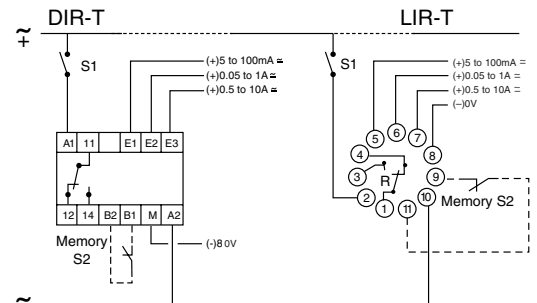
**SPECIFICATIONS:**

Input	24 VDC, 24, 48, 110, 220 VAC			
	±15%, 50/60 Hz			
Power consumption	3 VA maximum			
	CONTROL RANGE	INPUT	PERMITTED	OVERLOAD
	DC	AC	RESISTANCE	PERMANENTLY
	CURRENT	CURRENT	LESS THAN	1 sec Peak
	5 to 100 mA	3.5 to 70.7 mA	1 ohm	1.5 V
	0.05 to 1 A	0.035 to 0.707 A	0.1 ohm	5 A
	0.5 to 10 A	0.35 to 7.07 A	0.01 ohm	15 A
				55 A
Hysteresis selection	5 to 50% of input current			
Repeat accuracy	±2% at a constant ambient			
Response time	100 ms On Make			
	200 ms On Break			
Output Relay	SPDT Relay			
Contact material	AgCdO			
Maximum loading	10 A AC resistive 1 A DC inductive			
Maximum switching voltage	250 VAC or DC			
Relay maximum power rating	2500 VA			30W
Mechanical life of relay	30 x 10 <sup>4</sup> operations			
Electrical life of relay	2 x 10 <sup>5</sup> at 2500 VA resistive load			
Operating temperature	+14°F to + 140°F -10°C to +60°C			
Weight	7 oz. (200g)			

**Option:** 24 VDC power - the voltage and the measured current must be from separate sources.

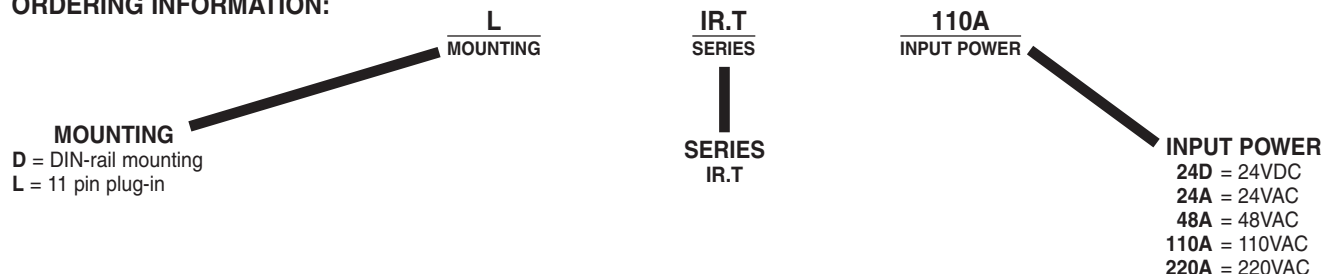
**Note:** It is recommended that the unit be adequately fused.

**WIRING DIAGRAM:**



**Note:** Upon energization of the current control IR.T Series Relay, the time delay, which is adjustable from .1 to 10 seconds, inhibits the output relay during start-up periods. The delay time is adjustable via a potentiometer located on the side of the case. Applies to both versions, with and without latching.

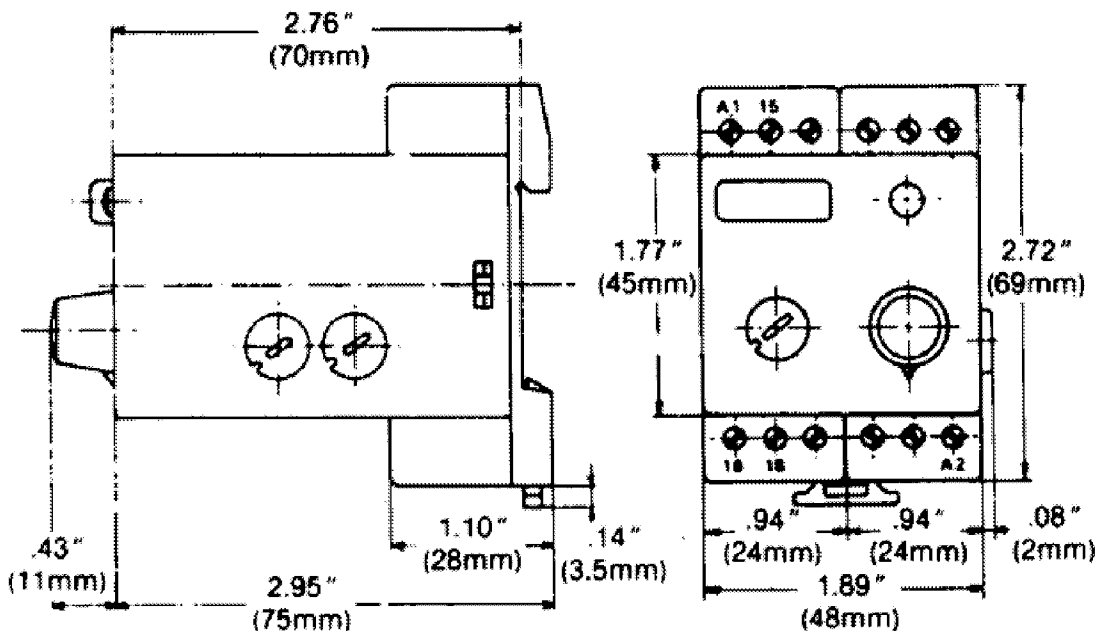
**ORDERING INFORMATION:**



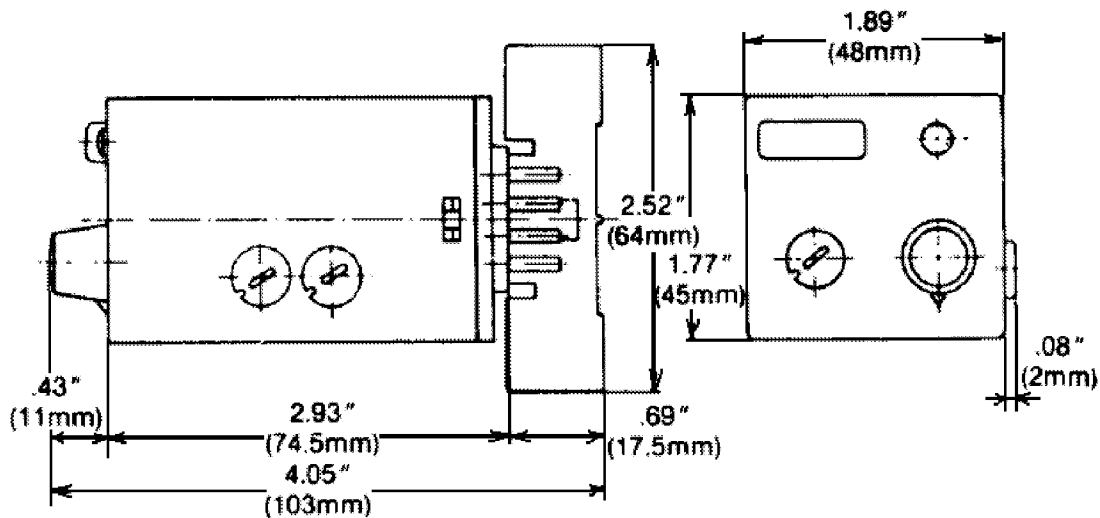
Products and specifications subject to change without notice.  
Consult factory for application assistance.

DIMENSIONS:

D - DIN-Rail



L & P - Sockets



Products and specifications subject to change without notice.  
Consult factory for application assistance.